

ADD-ON

M4PDS

HANGERS & SUPPORTS DESIGN

Industrial Steel Solution

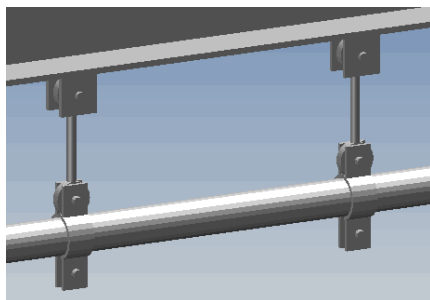
www.cad-schroer.com

MPDS4 HANGERS AND SUPPORTS DESIGN™

The Professional Industrial Supports Solution

MPDS4 HANGERS AND SUPPORTS DESIGN is an add-on module providing a complete professional solution for accurately modelling industrial hangers and supports between pipe and steelwork in your installation. The module offers a large number of extensible libraries of catalog components to a variety of industrial standards.

Creating and Editing Components
MPDS4 HANGERS AND SUPPORTS DESIGN offers powerful routing tools for loading, positioning and replacing hangers and support components, either manually or automatically.

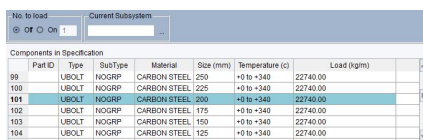


Quickly add industrial hangers and supports between pipe and steelwork

Catalog-Based Design

The catalog component libraries provided with MPDS4 HANGERS AND SUPPORTS DESIGN help you cut down on errors, allowing you to quickly and consistently design complete support systems based on company-specific standards.

The catalogs contain many different types of pipe clips, hangers, sliders, and other supporting components. They are user extensible and customisable, with a central database ensuring consistent delivery of up-to-date catalog data to your design teams.



Part ID	Type	SubType	Material	Size (mm)	Temperature (C)	Load (kgm)
99	UBOLT	NOGRP	CARBON STEEL	250	+0 to +340	22740.00
100	UBOLT	NOGRP	CARBON STEEL	225	+0 to +340	22740.00
101	UBOLT	NOGRP	CARBON STEEL	200	+0 to +340	22740.00
102	UBOLT	NOGRP	CARBON STEEL	175	+0 to +340	22740.00
103	UBOLT	NOGRP	CARBON STEEL	150	+0 to +340	22740.00
104	UBOLT	NOGRP	CARBON STEEL	125	+0 to +340	22740.00
105	UBOLT	NOGRP	CARBON STEEL	100	+0 to +340	22740.00

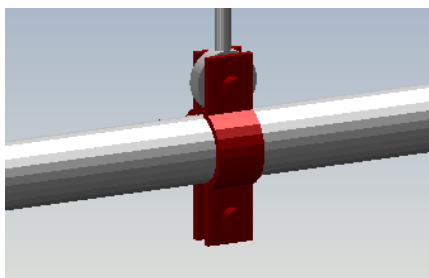
Easily select hanger and support components from the extensive parts libraries provided

Piping Isometrics

M4 ISO is tightly integrated with MPDS4 PIPING DESIGN. Any isometrics produced will also automatically reflect the positions of components designed with the MPDS4 HANGERS AND SUPPORTS DESIGN module.

Consistency Checking

MPDS4 HANGERS AND SUPPORTS DESIGN allows you to check entire systems or selected sections for design consistency. Selected components will be tested for such things as compatibility of connections. A dialog then presents the test results, listing the affected components and providing error descriptions. Users can click on a listing to automatically highlight the relevant component in their 3D design. Consistency checking results can also be exported to a customisable report.



Users can select any error listed in the Hangers and Supports Consistency Check dialog to highlight the affected component directly in their 3D layout.

Hard and Soft Interference Checking

Interference checking functionality provides users with a quick overview of overlapping components. Hard interference checking flags up overlaps between selected areas and components, while soft interference checking flags up insufficient space between individual components.

Automatic Parts List Creation and ERP System Integration

Automatically created parts lists can be exported (to CSV, for example) to gain a quick overview of an entire project. The software can be integrated with your ERP system, allowing additional information, such as component cost or weight, to be displayed, and linking plant design with other corporate processes, such as project costing and procurement.

Software Requirements

- MPDS4 Basic Package
- MPDS4 PIPING DESIGN
- MPDS4 STEEL DESIGN
- M4 ISO (automated isometrics)



United Kingdom
CAD Schroer UK Ltd
Godwin House, Castle Park
Cambridge CB3 0RA
Tel. +44 1223 460 408
www.cad-schroer.com

United States
CAD Schroer US, Inc.
34 Rand Place
Pittsford, NY 14534
Tel. +44 1223 460 408
www.cad-schroer.com